

Luxman

SPEAKER SYSTEM

S-N100

*Owner's Manual*

Thank you for buying our Luxman Speaker Systems S-N100. In 1925 when NHK began its regular radio broadcasting services, Luxman was founded by the name of Kinsuido Radio Department. For more than 80 years since then, the company has released so many products to audio and music fans. At any time in those years, the enthusiastic feeling of such audio and music lovers has been kept unchanged. Luxman considers that high-fidelity playback of emotions of musical artists as well as listeners' deep impression on the reproduced music and strong attachment to playback equipment is the highest achievement for the audio products. Luxman and its working staff are happy to have such a great opportunity that you have selected our Luxman products by virtue of a profound lot and that both of us can have the same emotions and values in regard to audio matters and music.

Before you use our products, please read through this Owner's Manual so that you can use this unit correctly and safely. Then, performance of this unit can be maximized and you can enjoy the reproduced music at the highest grade. After you have read this manual, please keep it carefully together with the warranty sheet and the safety precautions.

We hope that you will pleasantly use our equipment for a long time.

## Contents

Precautions .....	3
Names and Functions of Parts.....	4
Connections .....	5
Specifications.....	6
After-sales services and quality assurance.....	6
Troubleshooting .....	7

## Installation location

Install the unit where it will be in a stable position. Do not install where the temperature is abnormally high such as in direct sunlight or where it is dusty or humid because this could damage this unit despite proper heat radiation. Do not install this unit where it will interfere with driving the car.

## Exterior finish

The cabinet surface of this unit is made of natural wood materials. Therefore, color and patterns are natural and the sections are all different. Finish is controlled by rigorous quality standards. This unit can be used safely.

## Cautions for amplifier connections

When making amplifier connections, be sure not to cause short-circuiting between  $\oplus$  and  $\ominus$  of the speaker output terminals of the amplifier or the speaker input terminals of this unit. If signals are applied with the circuit left short-circuited, a large current may be carried in the output circuit of the amplifier and can cause a malfunction.

## Repair and adjustments

When repair and adjustments are needed, please ask the store where you bought the unit or any nearby Luxman Service Center.

## Cleaning

For cleaning, use a piece of soft cloth to wipe the unit such as cleaning cloth available on the market.

If the unit has become very dirty, remove the dirt with soft cloth absorbing a small amount of neutral detergent, and then wipe the unit with dry cloth. Do not use a solvent like benzine or thinner because such a substance can often damage the exterior.

---

### Safety cautions

---



## Caution

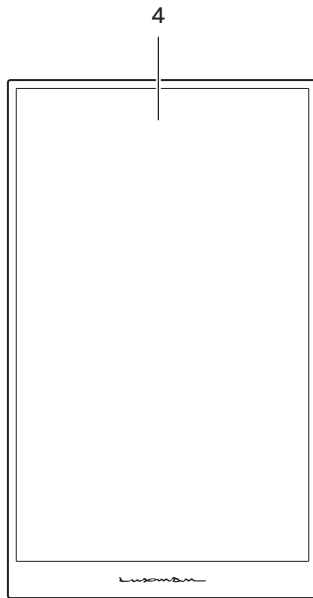
When installing this unit on a slippery floor, use the anti-slip accessories for safety.

The anti-slip accessories should be stuck to adequate places at the four corners on the bottom section of the right and left speakers. After installation, confirm that this unit does not slip easily. When installing it in a high position in the room, use fixing metal fittings for safety, without fail, to avoid falling from vibrations due to earthquakes and other causes.

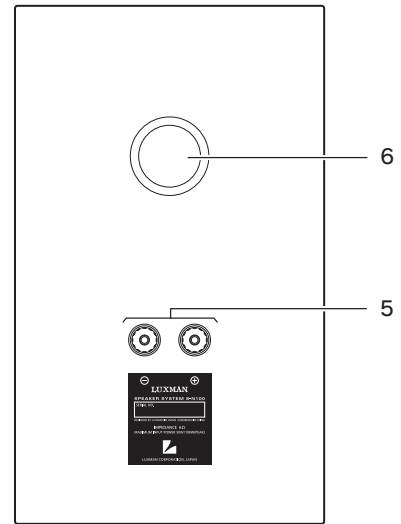
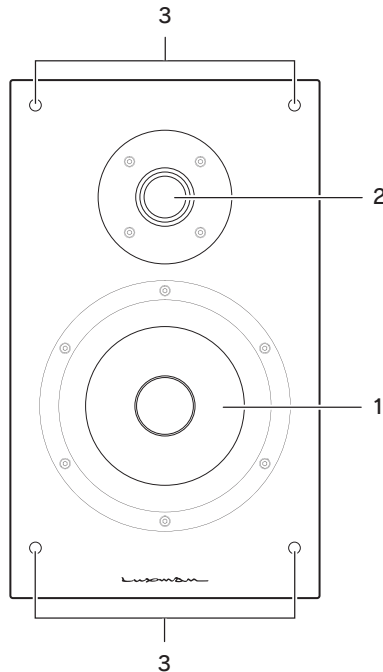


## Names and Functions of Parts

### Front



### Rear



#### 1. Woofer unit

This unit plays the musical signals at medium and low acoustic levels.

#### 2. Tweeter unit

This unit is used to play the musical signals at high acoustic level.

#### 3. Saran net fixing pins

These pins are used to fix the accessory saran net.

#### 4. Saran net

This is a unit protection cover that is removable.

\* Install it with the smaller-opening side (tweeter side) faced upwards.

#### 5. Input terminal (⊕, ⊖)

These input terminals are to connect speaker cables extended from the amplifier. Connect the right and left (R and L) cables with correct polarities (⊕ and ⊖).

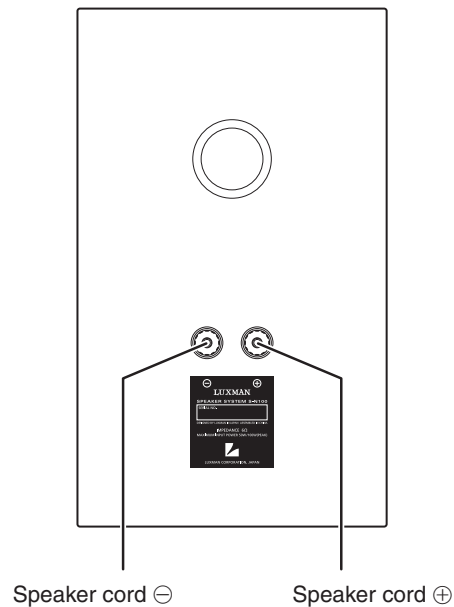
#### 6. Bass reflex port

The bass reflex port is to emphasize the low sound of the speakers.

Install the speakers without objects in front of the ports.

#### How to remove the saran net

Try to remove the saran net slowly in parallel to the speaker unit surface, without applying too much force. It must be removed parallel to the speaker unit surface or the saran net mounting holes and the fixing pins of the speaker main unit may be destroyed.



## Before Making Connections

When connecting, turn off all the power supplies of the amplifier and other devices to be connected in order to prevent unexpected accidents that can be caused by noise.

## Connections from the amplifier

Connect the right-channel speaker to the right speaker terminal of the amplifier and the left-channel speaker to the left speaker terminal.

Correctly connect the ⊕ terminal of this unit to the speaker terminal ⊕ (red) of the amplifier and also the ⊖ terminal of this unit to the speaker terminal ⊖ (black) of the amplifier. If the ⊕ or ⊖ terminal is reversely connected one side of the right or left speaker, the acoustic phases of the sound played from the right and left speaker systems are also reversed. The sound level in low range will be reduced and the acoustic stability will worsen, failing in normal stereo playback.

## Specifications

Type	2-way bass reflex type
Unit	130mm woofer (glass fiber hybrid cone type) 25mm tweeter (silk dome type)
Impedance	6Ω
Frequency response	50Hz – 50KHz
Efficiency	90dB (1W · 1m)
Allowable input	50W (continuous), 100W (maximum)
Accessories	Saran net and bracing
Dimensions	185W X 310H X 250 (290) D mm (Speaker terminals in brackets, including saran net)
Weight	6.0kg (1 unit)

\* Design and specifications are subject to change without notice.

## After-sales services and quality assurance

The Luxman products have passed a variety of rigorous checks throughout the manufacturing processes from the selection of each part to shipment. Careful quality control is carried out at all times. If this unit should cause a problem, please contact our Service Center or the store where you bought the unit. According to the situation, the unit will be repaired by visit servicing or at the factory. If your residence is in a distant place, you may be asked to send the unit back to our location.

The warranty period for this unit is two years after the day of purchase (1 year for consumables such as laser pickup, vacuum tubes, etc.). Natural failure occurring in this period shall be deemed to be attributable to repair services done free of charge totally on our responsibility. The warranty registration sheet is contained in the package of this unit. Get the warranty sheet stamped at the purchasing store, bearing year, month, and day of sales plus the store name. The warranty sheet duly filled in shall be sent to our company. When asking us for repair services within the warranty period, attach the warranty sheet issued by us, without fail. Repair services will be charged if the services are provided after the warranty period or if the warranty sheet is not attached.

---

### LUXMAN CORPORATION, JAPAN

1-3-1 Shinyokohama, Kouhoku-ku, Yokohama-shi, Kanagawa, 222-0033, Japan

AG00987CXXA

---

If you encounter a problem during use, check the following checklist and instruction manuals of the other components before suspecting a fault and sending your unit in for repairs.

Problem	Cause	Solution
No sound comes out of both right and left channels.	<ul style="list-style-type: none"><li>• The volume control knob of the amplifier is set at the minimum sound level.</li><li>• Speaker cable connections are incomplete.</li></ul>	<ul style="list-style-type: none"><li>• Turn the volume control of the amplifier clockwise to increase the sound volume.</li><li>• Complete speaker cable connections.</li></ul>
No sound comes out on one side.	<ul style="list-style-type: none"><li>• The speaker cable is not connected on one side only.</li></ul>	<ul style="list-style-type: none"><li>• Correctly connect the cable.</li></ul>

